

DISHTABLE SHELVING

Item #: _____ **Qty #:** _____

Model #: _____

Project #: _____

SORTING SHELVES

KD TUBULAR



TRADITIONAL



TRADITIONAL DESIGN

FEATURES:

A solid die formed wall mounted rack shelf with solid end brackets.

CONSTRUCTION:

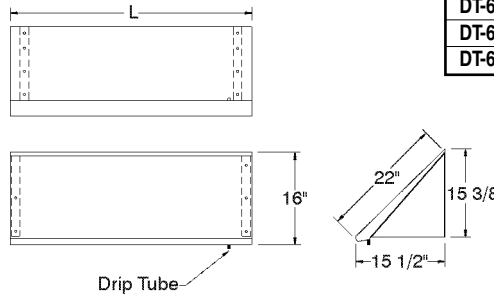
TIG-welded with exposed areas blended to a satin finish.

MATERIAL:

Brackets are 16 gauge type 300 series stainless steel.

Shelf is 16 gauge type 300 series stainless steel.

MODEL #	# of Racks	L	Wt
DT-6R-11	1	22"	20 lbs.
DT-6R-12	2	42"	30 lbs.
DT-6R-13	3	62"	40 lbs.
DT-6R-14	4	82"	50 lbs.



KD TUBULAR DESIGN

FEATURES:

A dual purpose open tubular design wall mounted rack shelf with solid end brackets bolted in field. Unit completely knock down.

CONSTRUCTION:

No welds. Unit is supplied with assembly hardware.

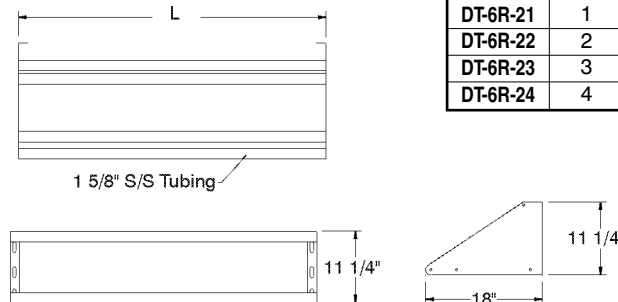
MATERIAL:

Brackets are 16 gauge type 300 series stainless steel.

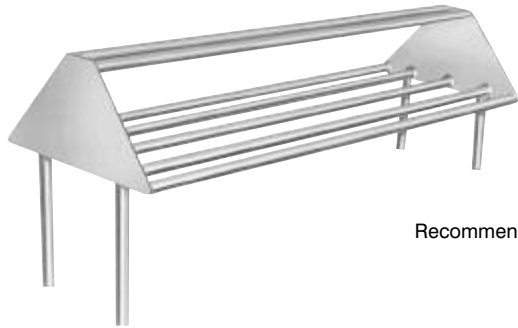
Tubing is 1 5/8" diameter stainless steel 18 gauge tubing.

Stainless steel bolts (included).

MODEL #	# of Racks	L	Wt
DT-6R-21	1	22"	15 lbs.
DT-6R-22	2	42"	23 lbs.
DT-6R-23	3	62"	30 lbs.
DT-6R-24	4	82"	38 lbs.



DISHTABLE SHELVING



Recommended for D and G Series Dishtables.

TABLE MOUNTED DOUBLE SIDED DESIGN

Mounts to backsplash and end roll of dishtable

FEATURES:

A dual purpose double sided open tubular design table mounted rack shelf with solid ends.

CONSTRUCTION:

TIG-welded with exposed areas blended to a satin finish. Attaches to dishtable with stainless steel bolts (included).

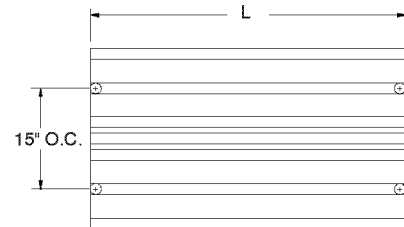
MATERIAL:

Side Plates are 16 gauge type 304 series stainless steel. Tubing is 1 5/8" diameter stainless steel 18 gauge tubing.

Shelf shipped separated from table to reduce freight costs and chance of shipping damage.

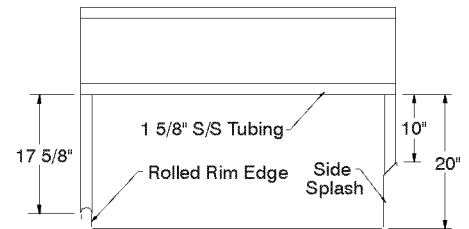
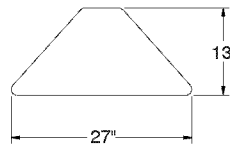
DOUBLE SIDED SLANT RACK SHELF

MODEL #	Qty.
DTA-79	



DTA-79

Minimum Length 48"



Stainless Steel Undershelves



FEATURES:

Stainless steel construction featuring the adjustable die cast leg clamp.

CONSTRUCTION:

No welds. Shelf completely die formed.

MATERIAL:

Stainless steel.

UNDERSHELVES

MODEL #	L	Wt.
DTA-SS-18	18"	15 lbs.
DTA-SS-24	24"	18 lbs.
DTA-SS-30	30"	24 lbs.
DTA-SS-42	42"	33 lbs.
DTA-SS-54	54"	42 lbs.
DTA-SS-66	66"	50 lbs.
DTA-SS-78	78"	60 lbs.

Shelving is Reversible (Left or Right)

Size Undershelf to be at least 6" shorter than dishtable.

