

Stainless Steel

Work Tables

ATLANTIC METALWORKS

3311 Gilmore Industrial Blvd, Ste II

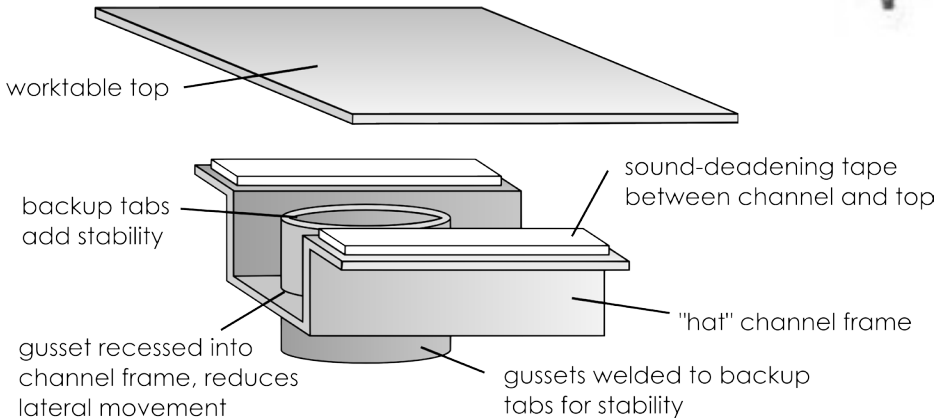
Louisville, KY 40213

(877) 745-8868

sales@atlanticmetalworks.com - atlanticmetalworks.com



STT-3072-E shown



MATERIAL:

Constructed of 18 gauge heavy duty type 430 stainless steel. Heavy 16 gauge galvanized legs and gussets. 1 5/8" diameter tubular galvanized steel legs. Adjustable 1" plastic bullet feet. Fully adjustable undershelf. Additional mid-brace on all tables 84" or longer.



DESCRIPTION: Stainless Steel with Galvanized Legs and Undershelf

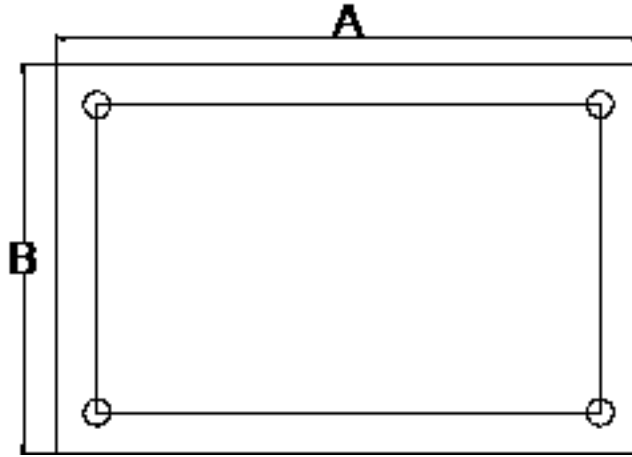
Length	24" Wide	30" Wide
24"	STT-2424-E	STT-3024-E
30"	STT-2430-E	STT-3030-E
36"	STT-2436-E	STT-3036-E
48"	STT-2448-E	STT-3048-E
60"	STT-2460-E	STT-3060-E
72"	STT-2472-E	STT-3072-E
84"	STT-2484-E	STT-3084-E
96"	STT-2496-E	STT-3096-E



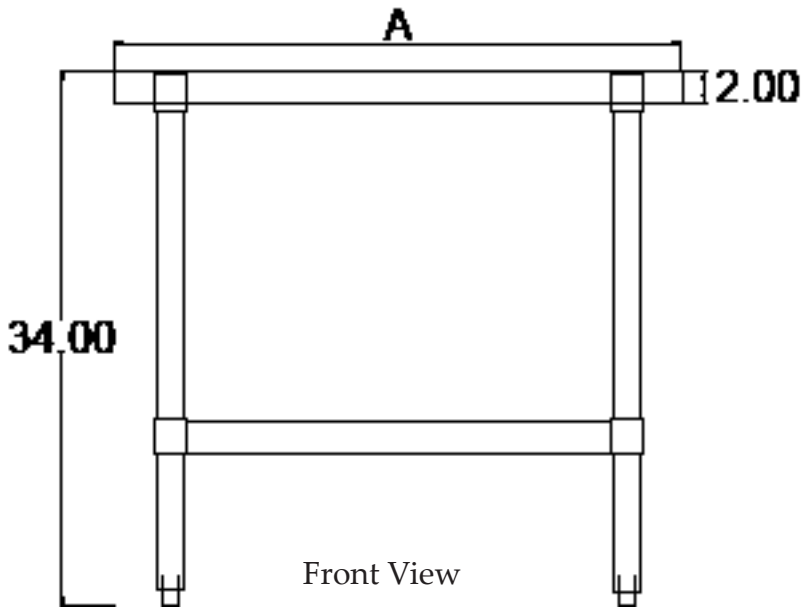
 Indicates item can ship via ground service.

Atlantic Metalworks strives to provide accurate information at all times, however, we reserve the right to change specifications without prior notice. Measurements are nominal and may vary by an inch.

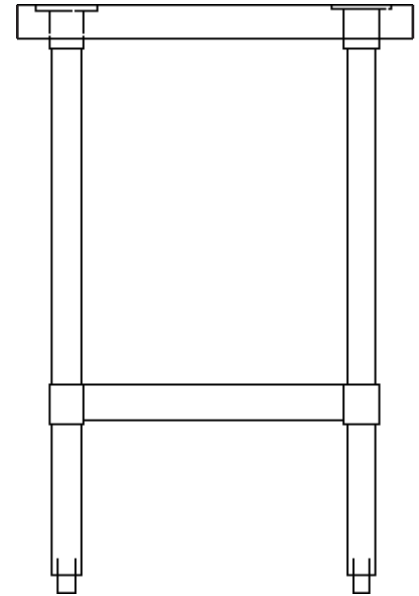
WORKTABLES



Plan View



Front View



A - Length	B- 24"	Weight	B- 30"	Weight
24"	STT-2424-E	39 lbs.	STT-3024-E	45 lbs.
30"	STT-2430-E	45 lbs.	STT-3030-E	48 lbs.
36"	STT-2436-E	24 lbs.	STT-3036-E	55 lbs.
48"	STT-2448-E	61 lbs.	STT-3048-E	69 lbs.
60"	STT-2460-E	71 lbs.	STT-3060-E	82 lbs.
72"	STT-2472-E	85 lbs.	STT-3072-E	94 lbs.
84"	STT-2484-E	100 lbs.	STT-3084-E	115 lbs.
96"	STT-2496-E	120 lbs.	STT-3096-E	128 lbs.