



"Your Solutions Partner"

Specifications

F.O.B. Sedalia, Missouri 65301



333

OPTIONS:

- Hot Food Style top - **HFST**
- False bottom - **FB**
- Hardwood cutting board in lieu of poly
- Stainless steel cutting board in lieu of poly
- Drop type brackets for cutting board
- Casters - **EPxxx**
- Stainless steel feet - **SS-FEET**
- Serving shelves - **656-xS/656-460-xS/956-xS/956-460-xS**
- Glass display shelves - **98x**
- Shelves/Carving boards - **441-xS/442-xS/445-xS**
- Buffet shelves - **63x/73xFL/73xBL/73xHT/83x/93xFL/83xBL/93xHT**
- Insets/Inset Covers - **521, 522, 523**
- Tubular tray slides - **3BTS-FX-x/HD-x**

AGENCY LISTING:



DUKE MANUFACTURING CO.
2305 N. Broadway
St. Louis, MO 63102

800.735.3853 Toll Free
314.231.1130 In Missouri
314.231.5074 Fax
www.dukemfg.com

Approval Stamp(s):

PROJECT INFORMATION:

PROJECT: _____
ITEM: _____
QUANTITY: _____

MODEL:

AeroHot Steamtables Cold Pan Units - Ice Cooled

- 332/P332** 30-3/8" length unit/25-7/8" length pan
- 333/P333** 44-3/8" length unit/39-7/8" length pan
- 334/P334** 58-3/8" length unit/53-7/8" length pan
- 325/P325** 72-3/8" length unit/67-7/8" length pan

TOP:

- 20 gauge, 300 Series stainless steel
- Poly carving board - 7"W x 1/2" thick with 18 gauge stainless steel support base and die-stamped brackets

LINER:

- 18 gauge, 300 Series stainless steel - 5" deep
- Insulated on all four sides and bottom with polystyrene
- 1" cast brass drain and plug

BODY, UNDERSHELF AND LEGS:

- 20 gauge, 430 Series stainless steel body
- 18 gauge, 430 Series stainless steel undershelf
- 430 Series stainless steel tubular legs with adjustable plastic feet

SHORT FORM SPECIFICATIONS:

Duke AeroHot Steamtables - Cold Pan Units - Ice Cooled. Top and liner shall be constructed of heavy gauge, 300 Series stainless steel, with body, undershelf and legs formed of heavy gauge, 430 Series stainless steel. Top shall be flanged down into heavy gauge stainless steel ice pan, 5" deep. Liner to be insulated on all four sides and bottom with expanded polystyrene and equipped with 1" cast brass drain and plug. Units to be furnished with polycarbonate carving board measuring 7" x 1/2" thick with 18 gauge stainless steel support base and die-stamped brackets. Legs shall be formed of 1-5/8" diameter stainless steel tubing fitted with adjustable plastic feet. Portable units to have NSF listed casters, 5" diameter, rubber, swivel type, two with locks, all non-marking tires, with 9"L pusher bar attached to end panel on operator's right.

"P" - prefix on model number denotes portable unit.

Aerohot®

A.I.A. File No. 35-C-13

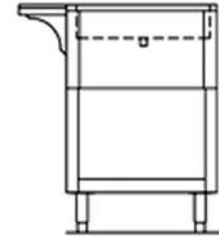
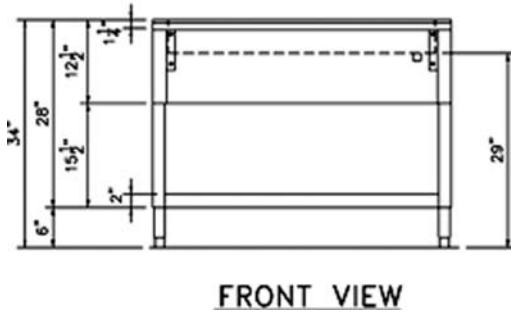
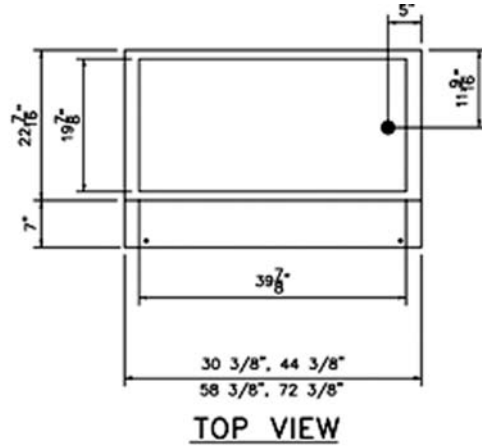
Catalog No. AFS-ICE

AEROHOT STEAMTABLES - COLD PAN UNITS - ICE COOLED

AEROHOT STEAMTABLES COLD PAN UNITS - ICE COOLED

- ☐ **332/P332** 30-3/8" length unit/25-7/8" length pan
- ☐ **333/P333** 44-3/8" length unit/39-7/8" length pan
- ☐ **334/P334** 58-3/8" length unit/53-7/8" length pan
- ☐ **325/P325** 72-3/8" length unit/67-7/8" length pan

LEGEND	
●	- DRAIN LOCATION - 1" cast brass
"P" = prefix on model number denotes portable unit	



DIMENSIONS:

Freight Class: 85

Model	Length		Width		Height		Cube ft. crated	Weight	
	in.	cm	in.	cm	in.	cm		lbs.	kg
332/P332	30-3/8	77.2	22-7/16	57.1	34	86.4	23.4	74/80	33.6/36.4
333/P333	44-3/8	112.8	22-7/16	57.1	34	86.4	32.5	102/108	46.4/49.1
334/P334	58-3/8	148.3	22-7/16	57.1	34	86.4	41.5	121/130	55.0/59.1
325/P325	72-3/8	183.9	22-7/16	57.1	34	86.4	50.5	142/161	64.6/73.2

Power Supply: n/a



"Your Solutions Partner"

DUKE MANUFACTURING CO.
2305 N. Broadway
St. Louis, MO 63102

800.735.3853 Toll Free
314.231.1130 In Missouri
314.231.5074 Fax
www.dukemfg.com

03/03

Specifications subject to change

Printed in U.S.A.
©2003, Duke Manufacturing Co.