

BUNN®

TB3Q

Fresh iced tea brewing solution with simple switch operation

11.6 in x 29 in x 22 in

Tea Capacity (Servings/Hour): 523
(8 ounces servings)



- Has adjustable steep time for more control over flavor extraction
- Brews directly into any style portable server
- Separate inlet for sweetener - use existing CO2 systems or external 3rd party pump for sweetener delivery
- SplashGard® funnel deflects hot liquids away from the hand

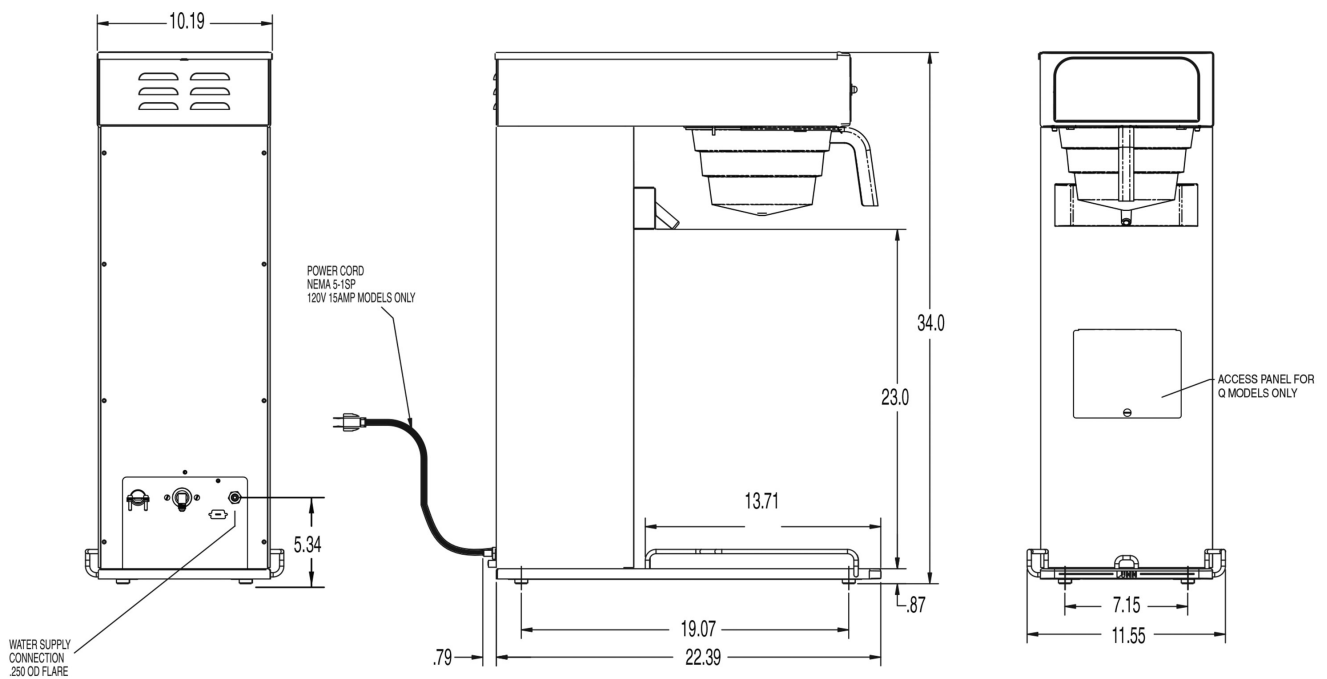
Related products

- 03021.0005 Funnel
- 20100.0000 Tea & Coffee Paper Filters 500/cs
- 35282.0002 Funnel
- 39000.0007 WATER FILTER, EQHP-TEA
- 39000.1007 EQHP-TEA Cartridge
- 03250.0004 TD4T Dispenser w/Solid Lid
- 03250.0005 TD4T Dispenser w/Brew-Thru Lid
- 03250.0018 TD4T Dispenser w/Brew-Thru Lid
- 03250.0042 TD4T Dispenser w/Solid Lid
- 03250.0043 TD4T Dispenser w/Brew-Thru Lid
- 33000.0008 TDS-3.5 Dispenser w/Solid Lid



Product No	Channel	Iced Tea Server Type	Water Access	Electrical (Voltage)
36700.0013	Convenience Store Full Service Lodging and Hospitality Quick Serve Restaurant Specialty	Cylinder Narrow Square	Plumbed	120
UPC	Capacity for Iced Tea	Finish	Number of Wires (+GND)	Cord Attached
72504070735	High	Stainless	2	Yes
Plug Type	Additional Features	2D Format CAD Available	Minimum Input Pressure	Maximum Input Pressure
NEMA 5-15P	Quickbrew Funnel Tip	Yes	20 PSI	90 PSI
Inlet Water Fitting	Required Water Flow	Trunk Height	Quickbrew	Funnel Type
1/4" Male Flare Fitting	1 Gal	29 in	Yes	Translucent Tea Funnel

Machine Depth	Machine Width	Machine Height	Shipping Box Length	Shipping Box Width
22 in	11.6 in	34 in	26.8 in	12.7 in
Shipping Box Height	Shipping Weight	Volume of shipped box		
37.2 in	38.96 lb	7.33 ft ³		



Electric & Capacity

Electrical Configuration Option

Volts-Factory Wired: 120

Phase-Factory Wired: 1

Watts-Factory Wired: 1730

Hertz-Factory Wired: 60

Amps-Factory Wired: 14.4

Tea Capacity (Servings/Hour):523

To see illustrated parts manuals, visit bunn.com/support/manuals

BUNN® reserves the right to change specifications and product design without notice. Such revisions do not entitle the buyer to corresponding changes, improvements, additions, or replacements for previously purchased equipment. For most current specifications and other info visit bunn.com. All dimensions shown in inches.