



Project:

Item Number:

Quantity:

INDUCTION RANGE: COMMERCIAL COUNTERTOP

MODELS: 6950020 1.8 kW @ 120V (U.S. Only)
6951020 1.4 kW @ 120V (Canada Only)



Induction Range: Intrigue™ Commercial Countertop

DESCRIPTION

The portable countertop induction range is designed for use in light to medium duty front-of-the-house cooking. Model 6950020 will plug into standard 15A outlets which are readily available in most restaurants and kitchens.

The induction range comes complete with a 6 ft. (183 cm) power cord and plug. The case frame is made from 18-gauge stainless steel with a ceramic top. The ceramic top is easily cleaned with a mild cleaner.

The induction range is equipped with a variety of safety features including:

- Over-heat protection
- Small-article detection
- Pan auto-detection function
- Empty-pan shut-off
- Safety auto-shut-off function

FEATURES

- 9 heating levels with optimum power output to different pans.
- 7 temperature holding positions.
- Easy to read LED bar for power level.
- Stainless steel case and ceramic top.
- Sloped control panel for runoff of liquid spills.
- Push button controls for easy cleaning.
- Warming function to maintain preset temperatures.
- Rubber feet to prevent slipping of appliance.
- Unit comes with cord and plug and does not require hard wiring.
- Full one-year parts and labor warranty.

IMPORTANT

- This appliance is intended for use with induction-ready cookware.
- All models require adequate unrestricted intake and exhaust air ventilation for proper operation of the controls. The maximum intake temperature must not exceed 110°F (43°C). Temperatures are measured in ambient air while all appliances in the kitchen are in operation.
- Countertop models require a minimum clearance of 3 inches (7.62 cm) at the rear and 1 inch (2.54 cm) at the bottom.

Agency Listings - Model 6950020



This device complies with Part 18 FCC Rules.

Agency Listings - Model 6951020



This device complies with Part 18 FCC Rules.

Approvals

Date:



Setting the Standard™

www.vollrathco.com

The Vollrath Company, L.L.C.
1236 North 18th Street
Sheboygan, WI 53082-0611
U.S.A.
Main Tel: 800.624.2051
Service Tel: 800.628.0832
FAX: 800.752.5620

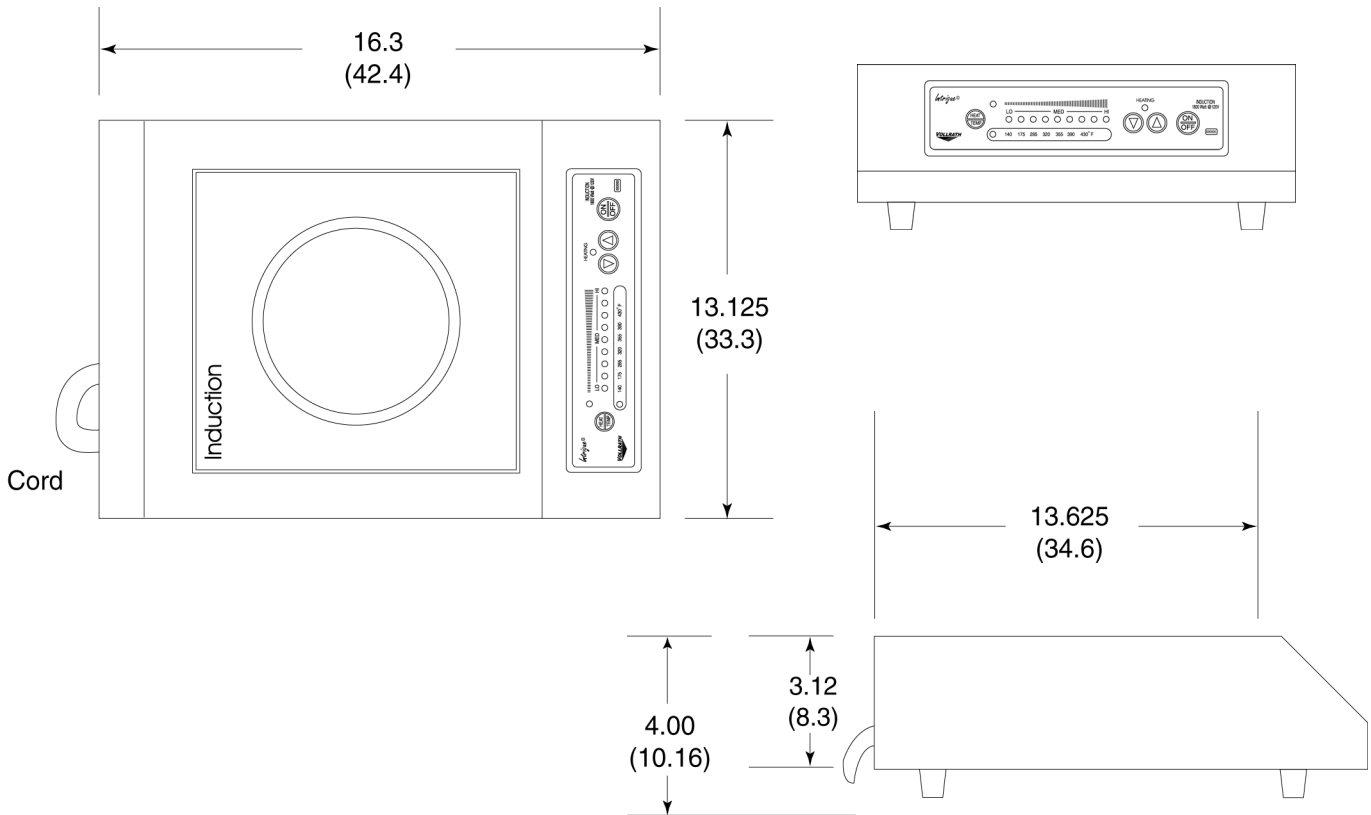
Vollrath of Canada, Co
Tel: 800.695.8560
FAX: 800.752.5620

INDUCTION RANGE: COMMERCIAL COUNTERTOP

MODELS: 6950020 1.8 kW @ 120V (U.S. Only)
 6951020 1.4 kW @ 120V (Canada Only)

DIMENSIONS

- ❑ Overall dimension: 13.125" wide x 16.3" deep x 4.0" high (33.3 cm x 42.4 cm x 10.16 cm)
- ❑ Shipping container dimension: 17.8" wide x 21.5" deep x 8.8" high (45.2 cm x 54.6cm x 22.4 cm)
- ❑ Dimensions shown in inches (cm).

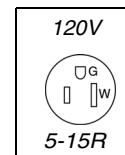


Unit shown with .87 inch Feet

ELECTRICAL SPECIFICATIONS - 1 PHASE, 60 HZ

Model	kW Rating	Volts	Nominal Amps	NEMA Plug	Remarks
6950020	1.8 kW	120V AC	15	5-15P	
6951020	1.4 kW	120V AC	12	5-15P	

Receptacles



www.vollrathco.com

The Vollrath Company, L.L.C.
 1236 North 18th Street
 Sheboygan, WI 53082-0611
 U.S.A.
 Main Tel: 800.624.2051
 Service Tel: 800.628.0832
 FAX: 800.752.5620

Vollrath of Canada, Co
 Tel: 800.695.8560
 FAX: 800.752.5620